



# Cambridge International AS & A Level

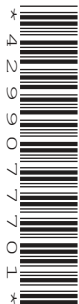
DESIGN & TECHNOLOGY

9705/32

Paper 3

May/June 2023

3 hours



You must answer on the answer booklet/paper.

You will need: Answer booklet/paper Coloured pencils  
A3 drawing paper (5 sheets)  
A range of design drawing equipment

## INSTRUCTIONS

- Answer **three** questions in total:  
Section A: answer **two** questions from **one** of the Parts A, B or C.  
Section B: answer **one** question.
- If you have been given an answer booklet, follow the instructions on the front cover of the answer booklet.
- Use a black or dark blue pen.
- Write your name, centre number and candidate number on all the work you hand in.
- Do **not** use an erasable pen or correction fluid.
- You may use an HB pencil, or coloured pencils as appropriate, for any diagrams, graphs or rough working.
- At the end of the examination, fasten all your work together. Do **not** use staples, paper clips or glue.

## INFORMATION

- The total mark for this paper is 120.
- The number of marks for each question or part question is shown in brackets [ ].
- All dimensions are in millimetres.

This document has **12** pages. Any blank pages are indicated.

## Section A

Answer **two** questions from **one** of the Parts **A**, **B** or **C**.

## Part A – Product Design

The instruction ‘discuss’ denotes that you should:

- examine critically the issues raised by the question
- explain and interpret these issues as appropriate
- introduce evidence wherever possible to support conclusions of arguments.

1 Fig. 1.1 shows details of a support for a flat-pack bookshelf.

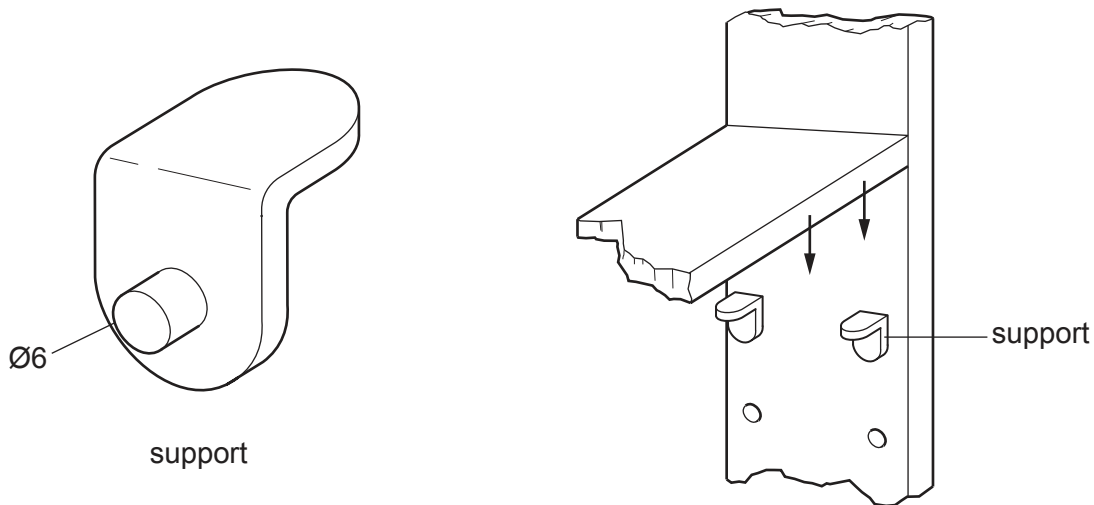
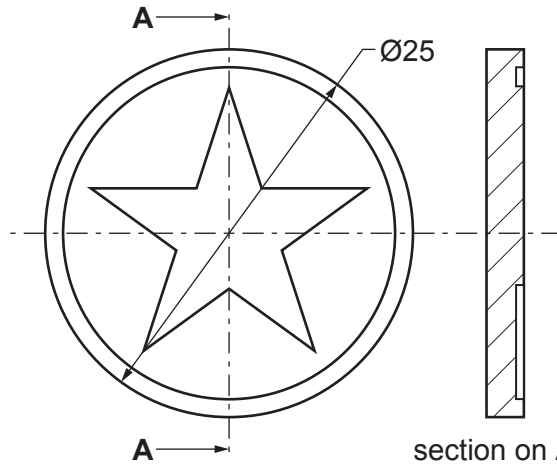


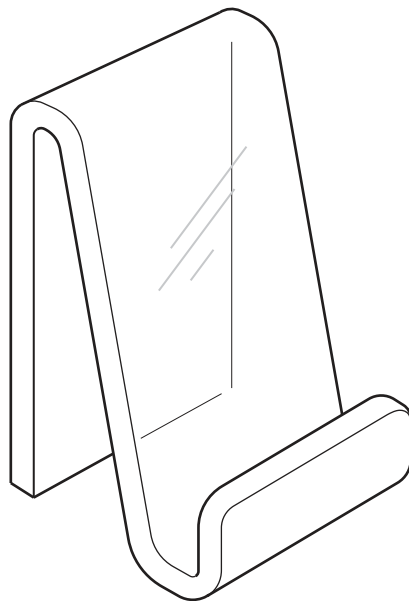
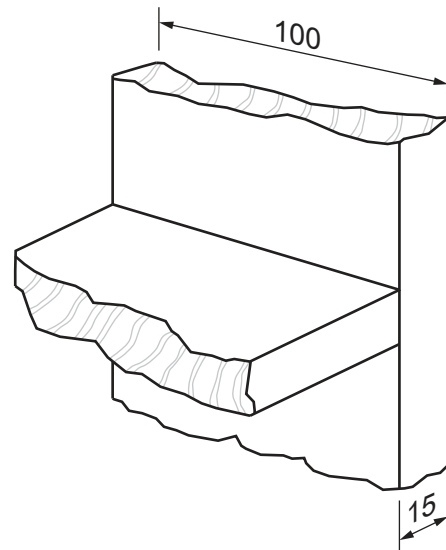
Fig. 1.1

- (a) State a suitable material for the support for a bookshelf of the type shown in Fig. 1.1 and give **two** reasons for your choice. [3]
- (b) Use sketches and notes to describe how you would make one support for the bookshelf in a school workshop. [9]
- (c) Explain the changes which would be necessary to the design, the manufacturing method used and the material selected, if 50 000 identical supports for a bookshelf were required. Use sketches and notes to support your answer. [8]
- 2 Discuss the importance of modelling in the design and development of products. [20]



**item:** achievement badge  
**material:** copper  
**process:** etching

**item:** storage unit  
**material:** pine  
**process:** stopped housing joint



**item:** phone holder  
**material:** clear acrylic  
**process:** line bending

**Fig. 3.1**

Choose **two** of the items shown in Fig. 3.1. For **each**:

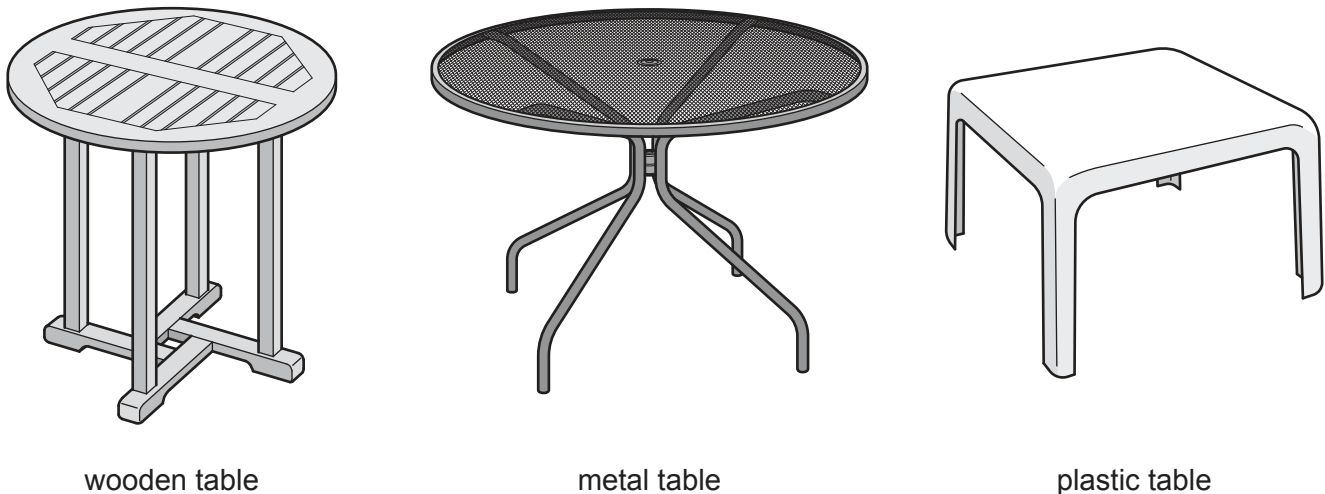
- (a) use sketches and notes to describe how the process has been used in the manufacture of the item [14]
- (b) explain why the process is particularly suitable for the production of the item. [6]

## Part B – Practical Technology

The instruction 'discuss' denotes that you should:

- examine critically the issues raised by the question
- explain and interpret these issues as appropriate
- introduce evidence wherever possible to support conclusions of arguments.

4 Fig. 4.1 shows three garden tables.



wooden table

metal table

plastic table

**Fig. 4.1**

Compare the benefits and drawbacks of using wood, metal and plastic for garden tables with reference to:

- (a) aesthetics and physical properties [6]
- (b) manufacture and cost [10]
- (c) maintenance. [4]

Refer to at least one specific wood, metal and plastic material for each table in your response.

5 Discuss the implications of built in obsolescence with reference to ongoing technological development. [20]

- 6 (a) Describe how the following are used in the testing of the performance of materials or prototypes.  
Use **one** example for each to support your answer.
- (i) photoelasticity [3]
  - (ii) strain gauge [3]
- (b) (i) State a material that has good torsional strength. [1]
- (ii) Describe the suitability of the material given in part (b)(i) in a product or component that requires torsional strength. [3]
- (c) Describe **three** ways in which manufacturers ensure that products are safe to use. [10]

## Part C – Graphic Products

The instruction 'discuss' denotes that you should:

- examine critically the issues raised by the question
- explain and interpret these issues as appropriate
- introduce evidence wherever possible to support conclusions of arguments.

7 Fig. 7.1 shows a card model of a design for a lantern.

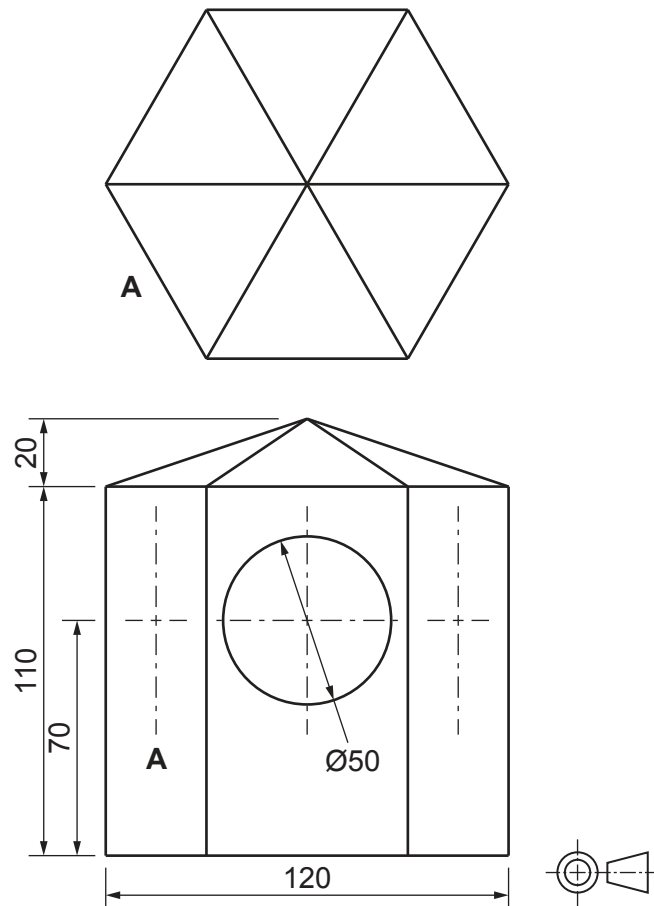


Fig. 7.1

The lantern has a  $\text{Ø}50$  hole cut in the same position on each face.

- (a) (i) Draw full-size the given plan and elevation. [6]
- (ii) Construct the hole on face **A**. Ignore card thickness. [4]
- (b) Discuss the importance of formal drawing techniques, such as orthographic projection, to designers and engineers. [10]

- 8 (a) Use sketches and notes to explain how and why each of the following is used in a design situation:
- (i) a cut-away drawing [5]
  - (ii) an exploded drawing [5]
  - (iii) a two point perspective drawing. [5]
- (b) Explain the benefits of using free-hand sketching when designing a product. [5]
- 9 (a) Fig. 9.1 shows three boxes, **A**, **B** and **C**, which house different mechanisms.

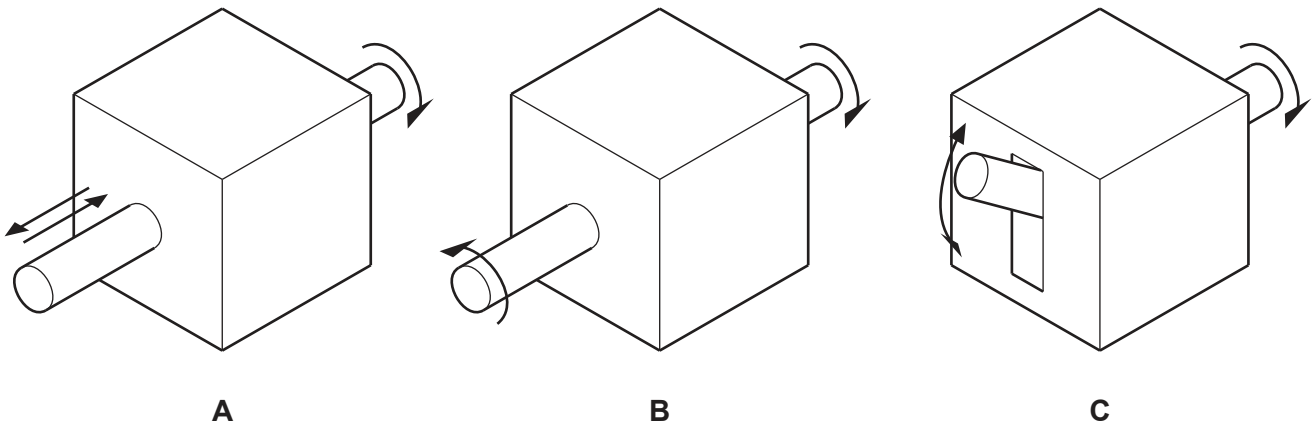


Fig. 9.1

The boxes house mechanisms which will transfer rotational motion, shown on the right-hand side of each box, to the required outcome, indicated by arrows on the left-hand side of each box.

Use sketches and notes to show how transfer of motion could be achieved in each of the boxes **A**, **B** and **C**. [12]

- (b) Fig. 9.2 shows a simple mechanism.

**A** rotates about **O**.  
**B** is constrained to follow line **CD**.

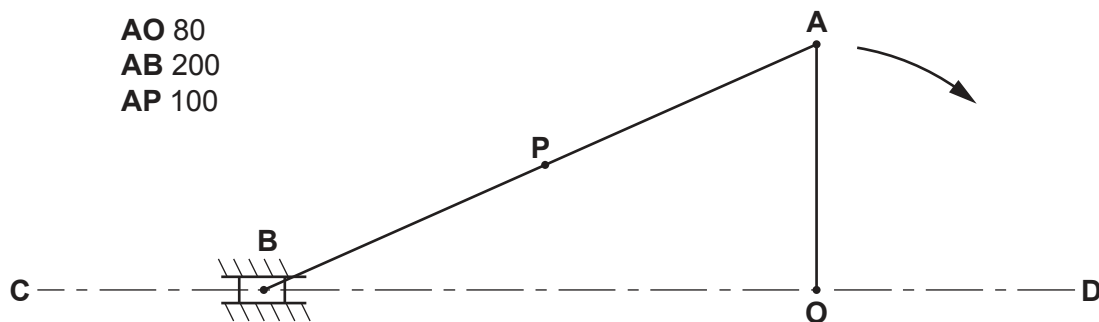


Fig. 9.2

Plot the locus of point **P** for one full revolution of **AO**.

[8]

**Section B**

Answer **one** question on the A3 paper provided.

Each question is worth 80 marks.

You should approach the design question of your choice in the following manner:

Analysis

Produce an analysis of the given situation/problem, which may be in written or graphical form. [5]

Specification

From the analysis produce a detailed written specification of the design requirements. Include at least five specification points other than those given in the question. [5]

Exploration

Use bold sketches and brief notes to show your exploration of ideas for a design solution, with reasons for selection. [25]

Development

Show using bold sketches and notes, the development, reasoning and composition of ideas into a single design proposal. Give details of materials, constructional and other relevant technical details. [25]

Proposed solution

Produce drawings of an appropriate kind to show the complete solution. [15]

Evaluation

Give a written evaluation of the final design solution. [5]



- 10 A restaurant wishes to provide diners with a range of sauces or dips when they eat. The restaurant tables are circular and can seat up to 8 diners.

You are to design a product to hold six different sauces or dips, to be placed on a restaurant table.

The product must allow:

- ease of access to all sauces or dips by all diners at the table
- each sauce or dip to be refilled during the meal.

[80]

- 11 A school for children aged 5 to 11 years wants to encourage them to use recyclable waste collection facilities around the school.

A container that will encourage children to place different types of recyclable waste in separate sections would be helpful.

You are to design a container that can be manufactured as a batch of 10.

The container must:

- clearly show what type of recyclable waste is to be collected in each section
- produce a noise or light effect when a child places recyclable waste in the section.

[80]

12 A garden centre is to take part in an initiative to encourage customers to plant a tree.

You are to design:

- packaging to enable a customer to take home a tree sapling
- a logo for the packaging that reflects the tree planting initiative.

The packaging must:

- hold securely a tree sapling and sufficient compost
- clearly show the tree sapling.

Details of a tree sapling are given in Fig. 12.1.

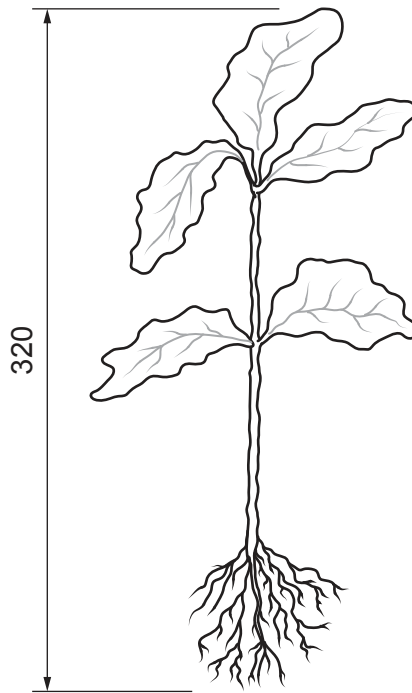


Fig. 12.1

[80]



**BLANK PAGE**

---

Permission to reproduce items where third-party owned material protected by copyright is included has been sought and cleared where possible. Every reasonable effort has been made by the publisher (UCLES) to trace copyright holders, but if any items requiring clearance have unwittingly been included, the publisher will be pleased to make amends at the earliest possible opportunity.

To avoid the issue of disclosure of answer-related information to candidates, all copyright acknowledgements are reproduced online in the Cambridge Assessment International Education Copyright Acknowledgements Booklet. This is produced for each series of examinations and is freely available to download at [www.cambridgeinternational.org](http://www.cambridgeinternational.org) after the live examination series.

Cambridge Assessment International Education is part of Cambridge Assessment. Cambridge Assessment is the brand name of the University of Cambridge Local Examinations Syndicate (UCLES), which is a department of the University of Cambridge.